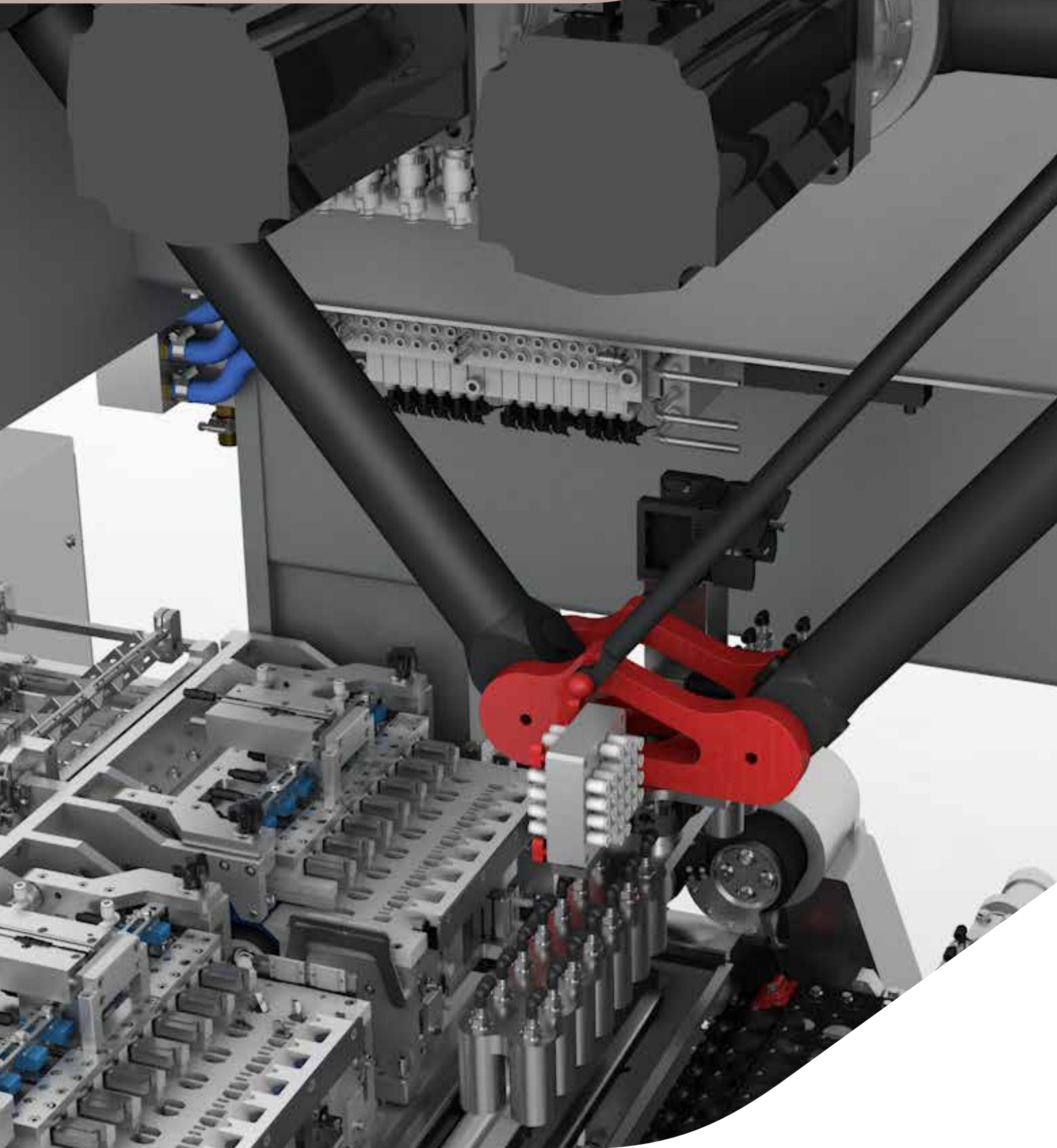


C-900

CAPSULE CARTONING MACHINE



C-900 HIGH SPEED CAPSULE CARTONING MACHINE

The brand new capsule cartoner C-900 represents an excellent choice as a turnkey solution combined with IMA high speed capsule filling machines.

The cartoner can handle any type of capsule available on the market, in plastic, aluminum, recyclable and compostable material. The C-900 can pack capsules in a wide range of sizes and carton configurations. To ensure capsule stability and integrity, the cartoner allows the insertion of interlayers and/or inlays according to customers requirements.

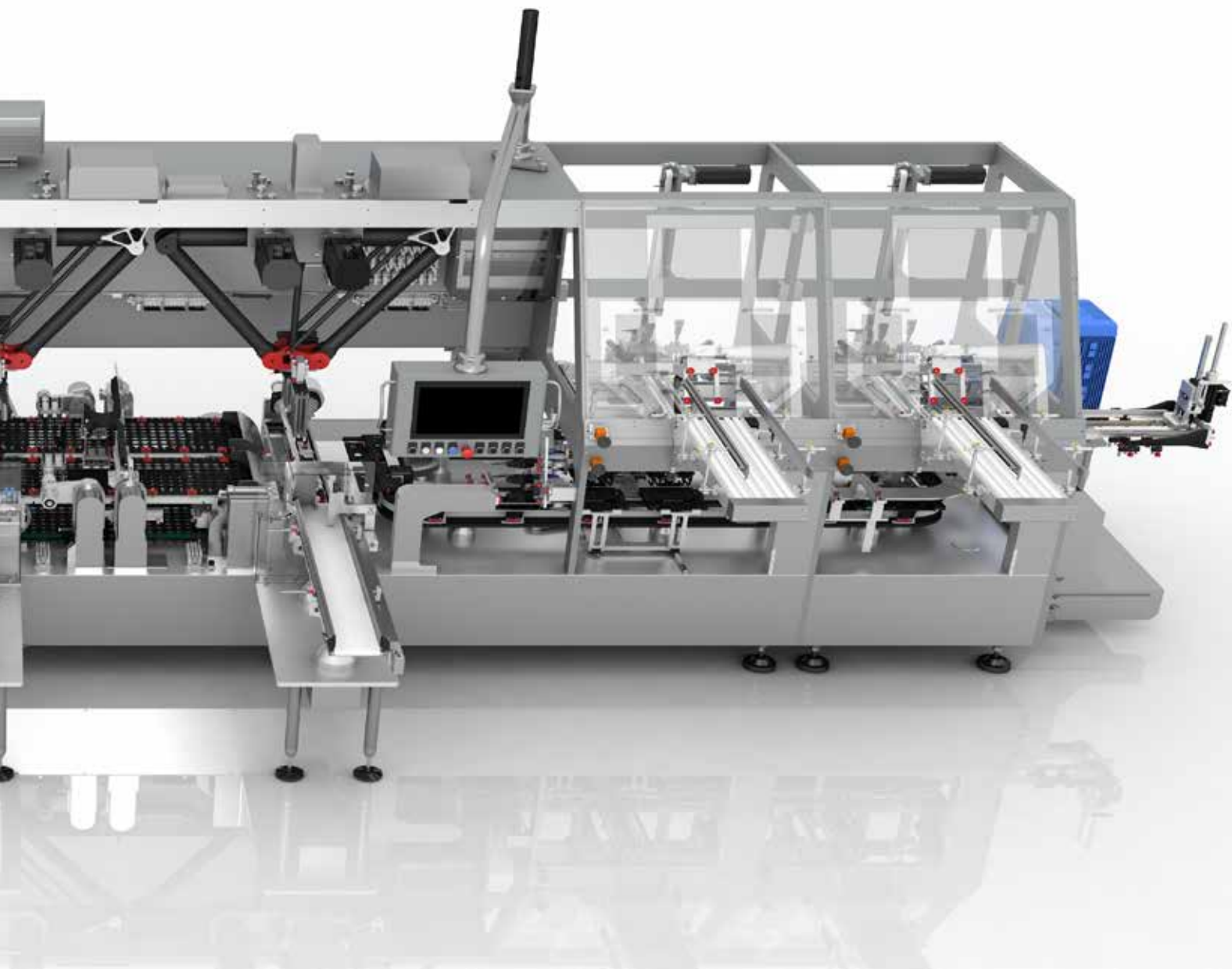
The capsule transfer feeding system is equipped with a buffer and capsules recirculation unit and guarantees extremely gentle handling, avoiding capsules damaging. Capsules are fed in a bucket chain and transferred by a pick & place system equipped with gripper-suction cup type units able to respond to any desired configuration.

According to required machine speed and carton capacity, the C-900 can be completed with a single or double flat blank carton magazine.

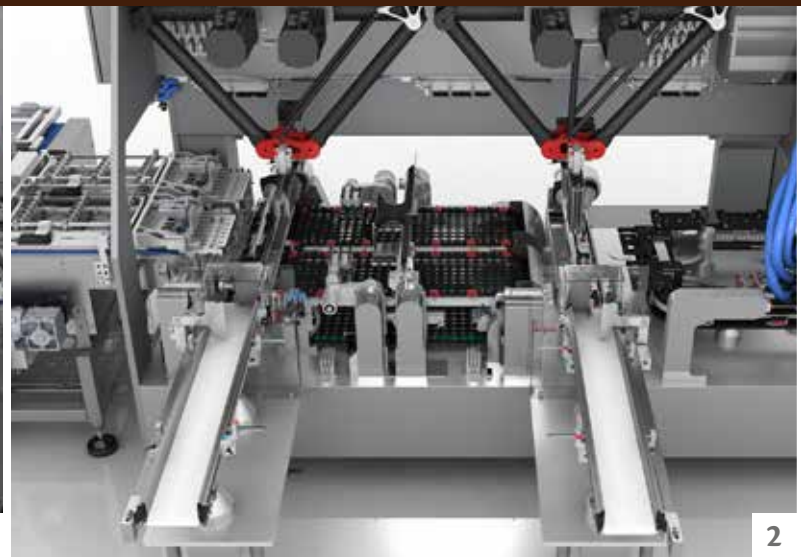




- HIGH SPEED, COMPACT DESIGN
- EXTREME FLEXIBILITY ON PRODUCT LAYER CONFIGURATION AND CARTON SIZES
- CARTON FILLING OPTIMIZATION TO IMPROVE FINAL COMPACTNESS
- EXCELLENT PRODUCT EFFICIENCY
- FULLY SERVO-DRIVEN MOVEMENT
- QUICK SIZE CHANGEOVER
- VERSATILE FLAT BLANKS CAPACITY



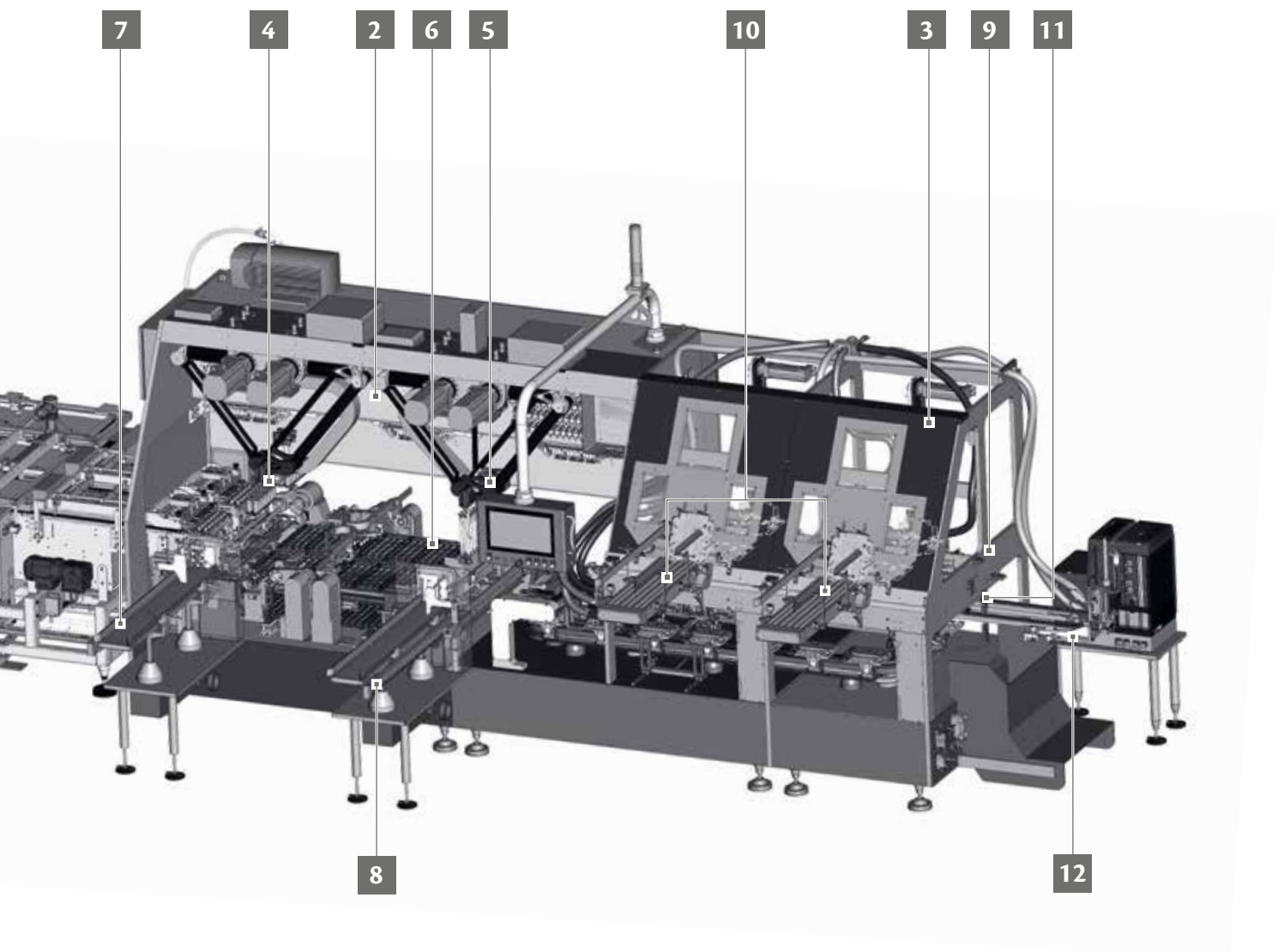
C-900 STEP BY STEP



MAIN FEATURES

1. UPSTREAM FEEDING
2. CAPSULE FORMING
3. CARTON FORMING
4. PICK & PLACE CAPSULE FEEDING
5. PICK & PLACE CARTON FILLING
6. CAPSULE NESTING
7. INLAY INSERTING
8. INTERLAYER INSERTING
9. CARTON CLOSING
10. FLAT BLANK MAGAZINES
11. FLAT BLANK FEEDING
12. CARTON EXIT





C-900 EXTREME FLEXIBILITY

INFINITE CAPSULE ARRANGEMENT OPTIONS AND CARTON STYLES

A simple size changeover allows the C-900 to handle any capsule type available on the market in any arrangement and carton style. The machine can feed up to 900 capsules per minute and pack up to 90 cartons per minute.

The C-900 can be set up according to the arrangement requirement, alternated or nested, and handles a variety of carton styles, including tubes. Top flexibility is achieved in final carton configuration as the C-900 allows single or multi-layer filling and the insertion of interlayers and/or inlays.

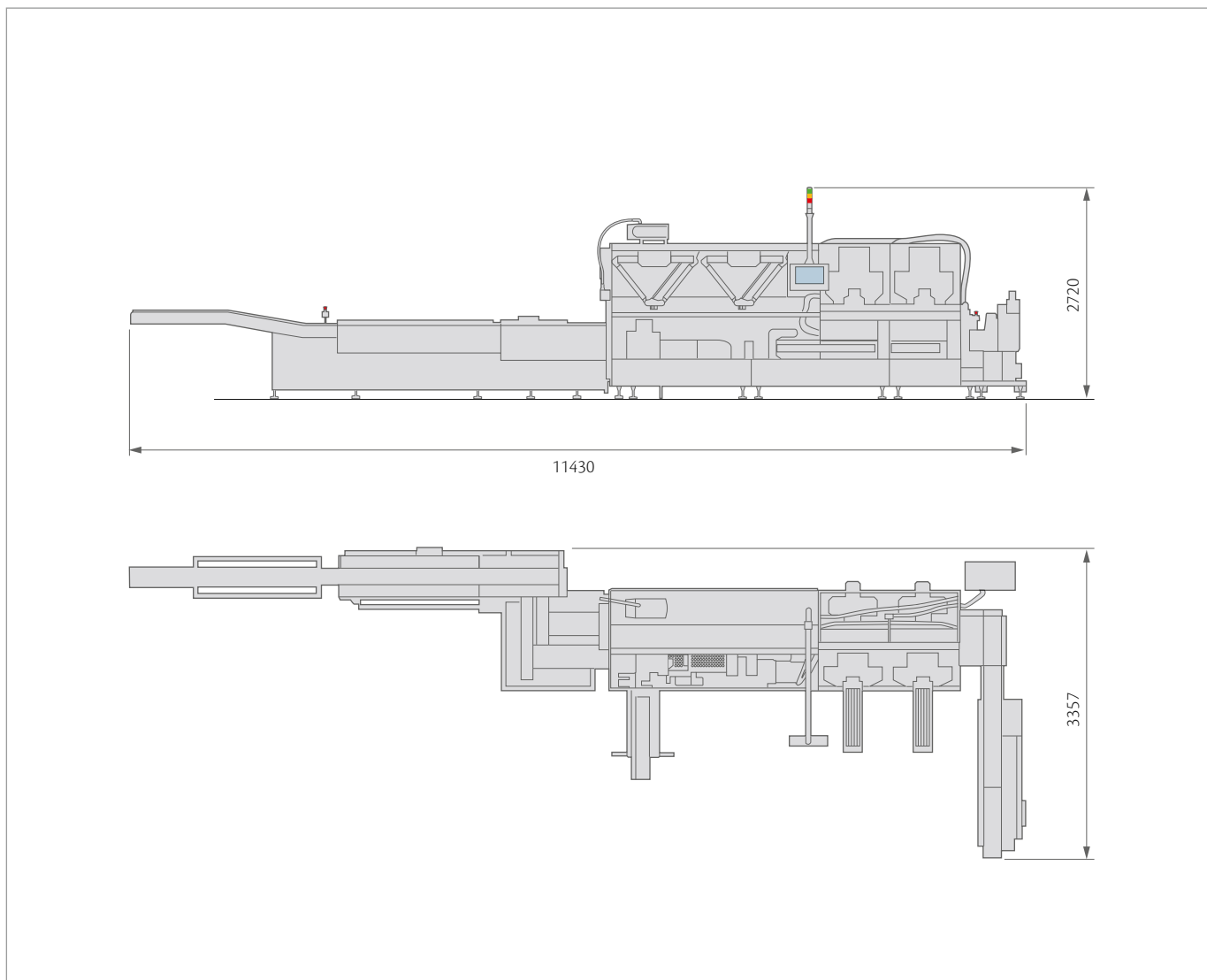
Carton space optimization achieved by smart capsule arrangement solutions contributes to packaging material saving and shelf space reduction.

The variety of carton handled by the C-900 are accompanied by a variety of closure options. Starting from the simplest ones up to the more sophisticated solutions, such as:

- Top Flap, with or without frontal flap
- Additional lateral flaps
- Flip Top closure with or without tamper evident system.

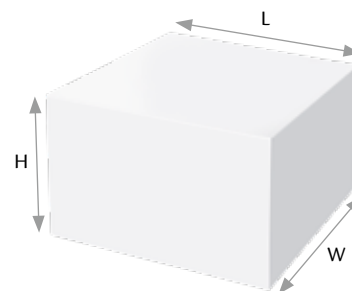


C-900 TECHNICAL DATA



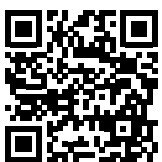
Production speed	up to 90 cartons/min
Average power consumption	15 kw
Operating Pressure	6 bar
Maximum air consumption	800 NI/min
Weight	5000 kg

Dimensions	MIN	MAX
L	75	280
W	38	190
H	30	195



Size combinations have to be verified according to product characteristics.
Data subjected to possible technical modifications and not necessarily definitive.

ima.it



IMA S.p.A. Unipersonale
IMA COFFEE PACKAGING Division
Via Emilia 428-442 - 40064 Ozzano dell'Emilia (Bologna) - Italy
Tel. +39 051 6514111
sales.coffee@ima.it

